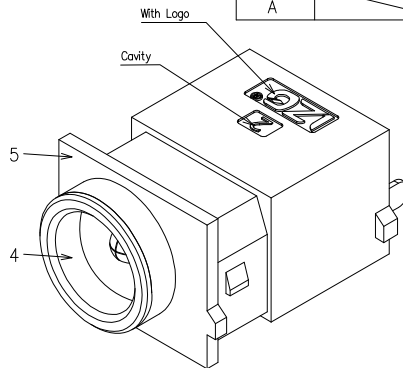
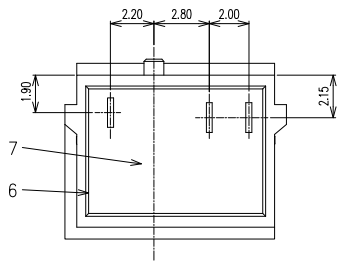
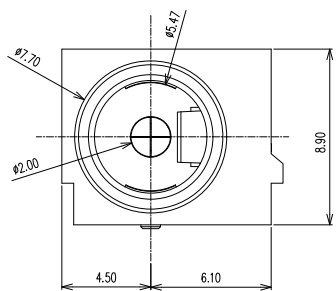


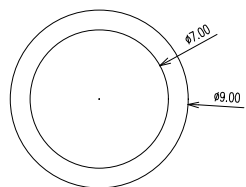
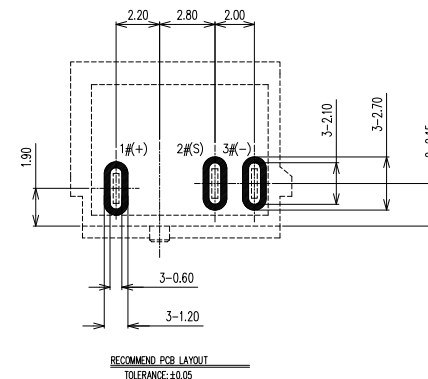
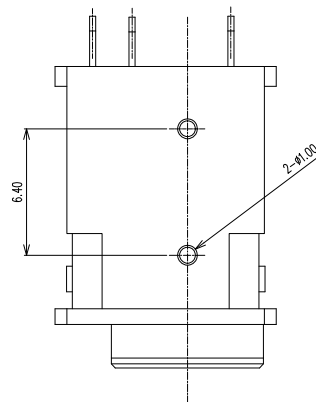
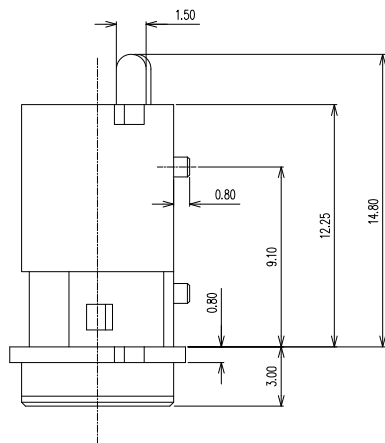
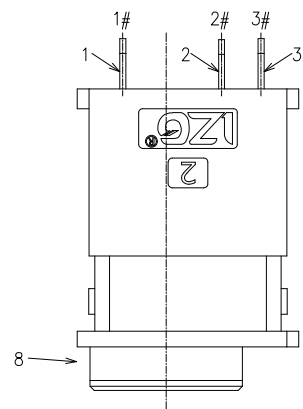
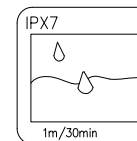
Kinghelm®

ZONE	EC.N.NO.	DESCRIPTION	DRAWING	DATE
A		INITIAL	林生明	2024.05.05

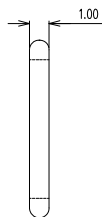


NOTES

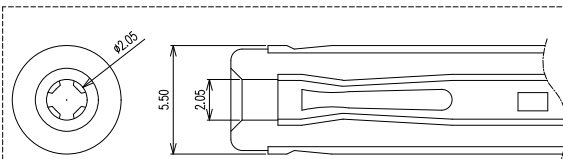
- CURRENT RATING: 24V & 5A MAX.
- CONTACT RESISTANCE: 50mΩ MAX.
- INSULATION RESISTANCE: 100MΩ MIN.
- DIELECTRIC WITHSTANDING: 500V AC MIN.
- DURABILITY: 5000 CYCLES MIN.
- CONNECTOR MATING FORCES: 3~35N.
- CONNECTOR UNMATING FORCES: 3~35N.
- OPERATING TEMPERATURE: -25°C TO +85°C.



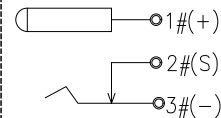
WHITE WATERPROOF RING



Not to install the waterproof ring shipment



Circuit Diagram



ITEM	NAME	QTY	DESCRIPTION
8	WATERPROOF RING	1	SILICONE; WHITE
7	GLUE	1	EPOXY; BLACK
6	BACK COVER	1	HIGH TEMPERATURE; BLACK
5	HOUSING	1	HIGH TEMPERATURE; BLACK
4	INNER BUSING	1	COPPER ALLOY; NICKEL PLATING
3	TERMINAL 3#	1	COPPER ALLOY; NICKEL UNDERPLATING OVERALL, AU PLATING ON SOLDER AREA
2	TERMINAL 2#	1	COPPER ALLOY; NICKEL UNDERPLATING OVERALL, AU PLATING ON THE WHOLE
1	TERMINAL 1#	1	COPPER ALLOY; NICKEL UNDERPLATING OVERALL, AU PLATING ON SOLDER AREA

深圳市金航标电子有限公司

WWW.KINGHELM.COM.CN

0755-28190160

DRAWING: 林生明 DATE: 2024.05.05 SCALE: 1:1

CHECK: 李宏鑫 DATE: 2024.05.05 MATERIAL: *

SHENZHEN KINGHELM ELECTRON CO.,LTD.

TOLERANCE UNLESS OTHERWISE SPECIFIED:

0.0±0.30
0.00±0.20
0.00±0.10

0.±2°
0.0°±1°
0.00°±0.5°

UNIT: mm



APPROVAL: 李宏鑫 DATE: 2024.05.05 DWG. NO.

DRAWING NO. KH-FSDC-30008-03DBAP-B SHEET 1/1

PART NAME: Ø2.0 WATERPROOF DC POWER JACK